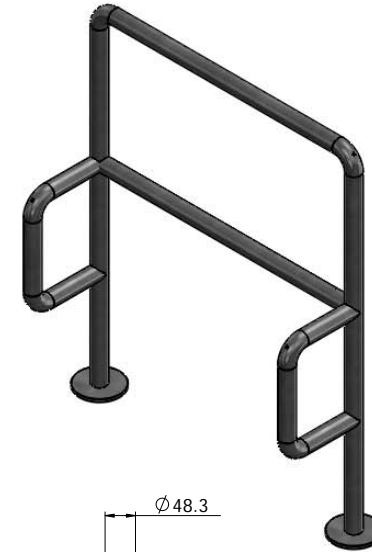
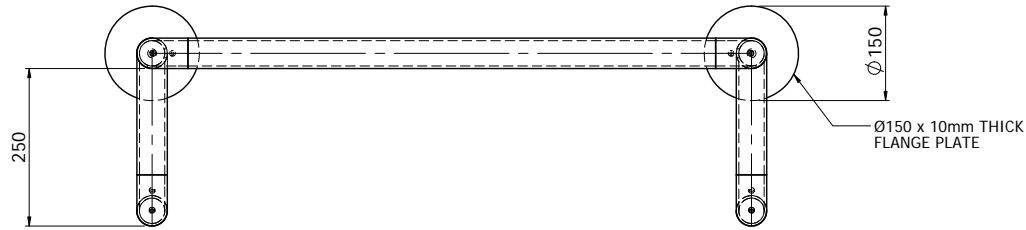
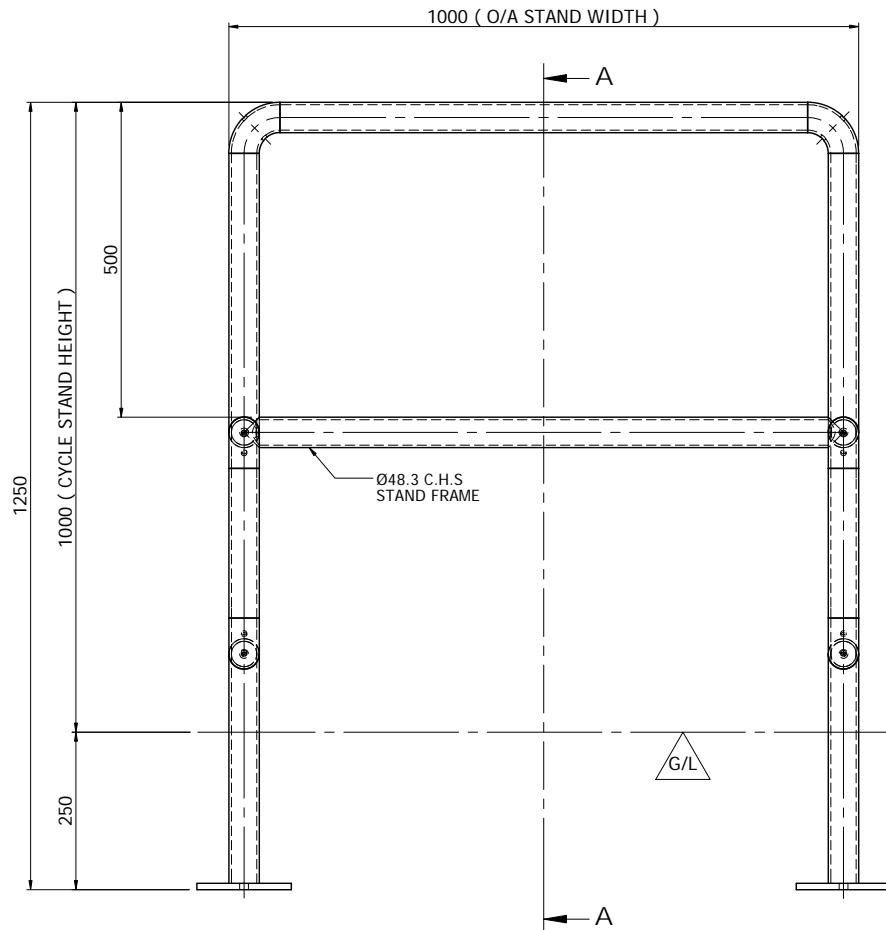


3rd Angle

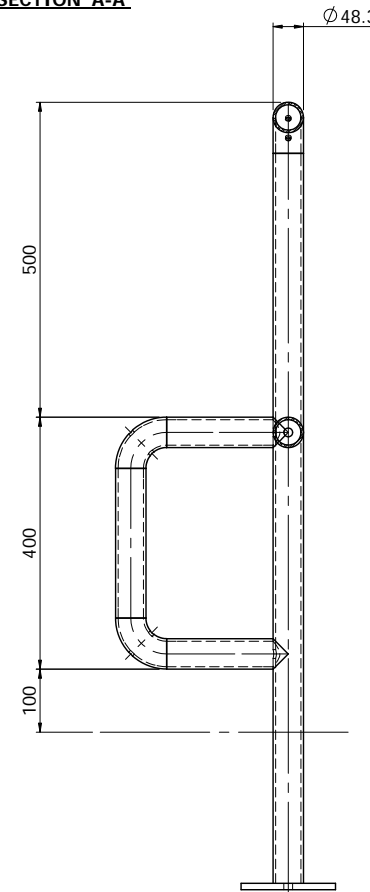
PLAN VIEW



FRONT ELEVATION



SECTION 'A-A'



Notes

All Dimensions in Millimetres unless stated otherwise.

Where multiple views are shown 3rd Angle Projection is assumed.

Revisions

Rev.	Description	Date
------	-------------	------

fabrikat

Nottingham Limited, Hamilton Road,
Sutton in Ashfield, Notts. NG17 5LN

www.fabrikat.co.uk
technical@fabrikat.co.uk

Tel. 01623 442200 Fax. 01623 442233

Title

1000mm HIGH x 1000mm WIDE
LEEDS MOTOR CYCLE STAND

Drg No. 32999-0

Scale: 1:12

Sheet 2 of 2

Drawn By: CTR

Chk'd: mhw

Ref. Customer Drawing

Contract:

Customer:

Date: 26/02/2014