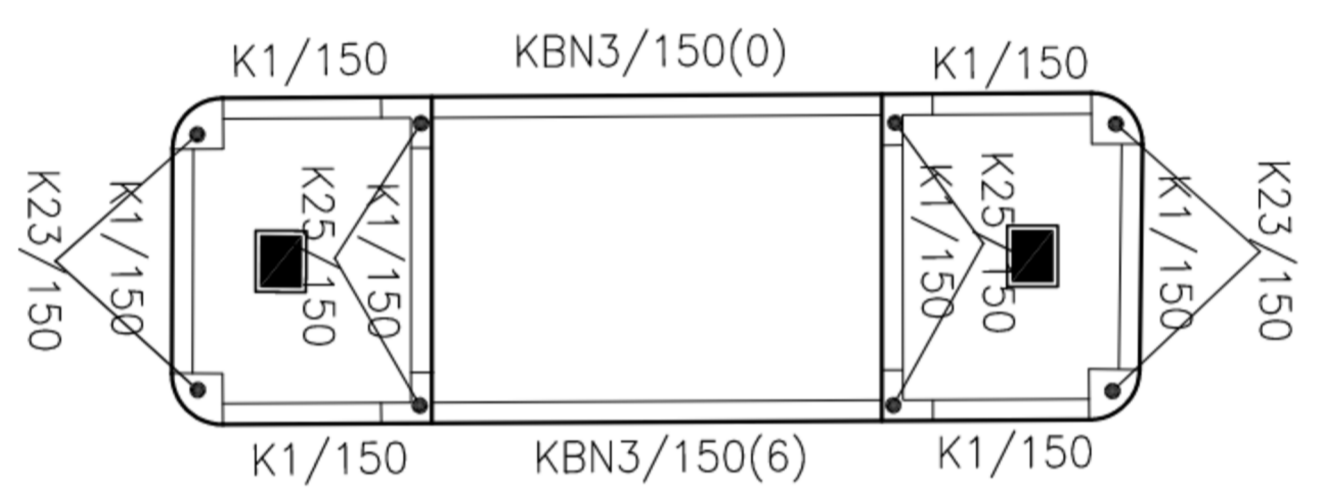


© Crown copyright and database rights 2022 OS LA100019567. You are granted a non-exclusive, royalty free, revocable licence solely to view the Licensed Data for non-commercial purposes for the period during which Leeds City Council makes it available. You are not permitted to copy, sub-license, distribute, sell or otherwise make available the Licensed Data to third parties in any form. Third party rights to enforce the terms of this licence shall be reserved to OS.

PROPOSED WHITE LINES					
FEATURE	DIAG. NO.	WIDTH	MARKINGS	GAP	
GIVE WAY	-----	Diag. 1003	200mm	600mm	300mm
WARNING LINES	- - - - -	Diag. 1004	See Below	4000mm	2000mm
Width of 1004 = 100mm for c/way <10m wide 150mm for c/way >10m wide unless otherwise shown on drawing					
LANE MARKINGS & ADVISORY CYCLE LANES	- - - - -	Diag. 1004	See Below	4000mm	2000mm
100mm unless otherwise shown on drawing					
DASHED LINE	- . - . -	Diag. 1010	250mm	1000mm	1000mm
CONTINUOUS LINE	—————	1012	250mm	Continuous Line	
GIVE WAY	▲	1023	3750mm unless otherwise shown		
LANE ARROWS	→ → →	Diag. 1038	4m. Arrow Road Marking		
LANE ARROWS	→ → →	Diag. 1039	16m. Arrow Road Marking		
HATCHING	////	Diag. 1040	150mm	Continuous Line	

- NOTES**
- Diagram numbers refer to the current edition of The Traffic Signs Regulations & General Directions.
 - All existing lining to be removed or relayed as required for tie-ins to proposed.



Belisha Beacon also to be included

KEY

--- SITE BOUNDARY/LIMIT OF CONSTRUCTION WORKS

- NEW CARRIAGEWAY
- CARRIAGEWAY OVERLAY
- FOOTWAY WORKS
- UNCONTROLLED CROSSING (BUFF TACTILES)
- LANDSCAPE / GRASSED AREA
- TRAFFIC ISLANDS
- BEACON
- SPS360 BOLLARDS

- Notes:**
- This drawing is for information only. See relevant Contract Drawings for actual construction details and proposed works.



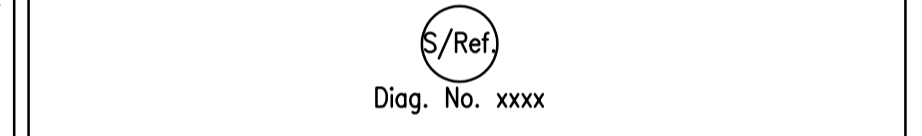
Sign Reference	670.5 – Ref.2; Ref.4
Height	600 mm
Width	600 mm
Area	0.28 m ²
Material	Class R3B-UK
Mount Height	2300



Sign Reference	670.3 – Ref.3; Ref.5
Height	600 mm
Width	600 mm
Area	0.28 m ²
Material	Class R3B-UK
Mount Height	2300

- * Signs to be illuminated.
- * S.S.E.C. reviewing whether any additional street lighting required.

PROPOSED NON-ILLUMINATED TRAFFIC SIGNS



- NOTES**
- All signs to be manufactured in accordance with the Traffic Signs Regulations and General Directions 2016, and App. 12/1
 - See App. 12 Schedules for sign sizes, type, mounting and lighting details.
 - All illuminated sign work to be carried out by S.S.E.C. – see Dwg. Series 13.

DRAINAGE

- EXISTING GULLY AND FRAME TO BE MADE REDUNDANT – CLEAN OUT GULLY POT, ROD CONNECTION AND FILL POT WITH CONCRETE MIX ST4. CONNECTION REUSED AS INDICATED
- PROPOSED GULLY TYPE 1 WITH CONNECTION TYPE 150/D/1/A FITTED WITH NEW COVER AND FRAME TYPE D400 TO BS EN124.

P01	Issued for information	MW	LH	04/22
REV		DRAWN	CHECKED	DATE

CREATED BY:	MW	3/22	CURRENT ISSUE:	LH	4/22	CHECKED	CDE APPROVAL
-------------	----	------	----------------	----	------	---------	--------------

PURPOSE OF ISSUE:	INFORMATION	
APPROVAL STATUS:	APPROVED	CDE STATUS: S2

733533 S278 ACANTHUS GARDEN CENTRE TINGLEY
RSA 1/2 SAFETY AUDIT



1:500	ORIGINAL SHEET SIZE	A1
733533/LCC/HWT/XX/DR/CH/MI_01	REV:	P01
April 2022	ID:	-

